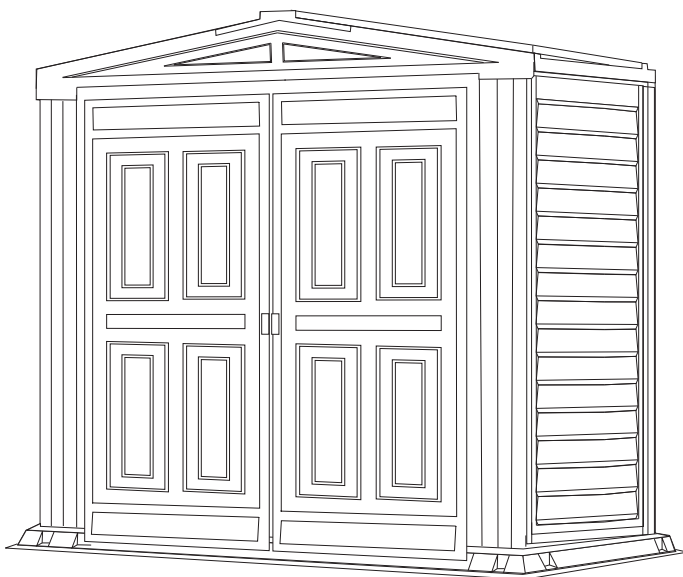


Storage Shed

Patent #416.091

OWNER'S MANUAL / Instructions for Assembly Size 5' x 3'

Ver: 1.0



Customer
Service Hotline
(800) 483-4674
www.uspolymersinc.com

- All Weather Durable PVC
- Available in Various Sizes
- Fire Retardant
- Rust or Rot Proof
- Maintenance Free
- Wide Double Doors
- Quick & Easy Assembly
- High Head Room for Garden Implements
- Never Needs Painting
- Good Insulator

Requires two people and takes under 1 hour for Installation.

Call us for any missing or damaged parts.
Do not return to the store.

Duramax Storage Shed Limited Fifteen Year Warranty

U.S. Polymer Inc. will send a replacement part free of charge, in the event of material defects and or workmanship for a period of fifteen years from the date of purchase.

This warranty is extended only to the original purchaser. A purchase receipt or other proof of date of original purchase will be required before warranty service is rendered. In no event shall we pay the cost of flooring, labor, installation or any other costs related thereto.

This warranty only covers failures due to defects in material or workmanship which occurs during normal use and does not extend to color change arising due to normal weathering or to damage resulting from misuse or neglect, commercial use, failure to follow assembly instructions and the owner's manual (including proper anchoring of the shed), painting, forces of nature and other causes which is beyond our control.

Claims under this warranty must be made within the warranty period by calling 1-800-483-4674 or mail in a dated sales slip and clear photograph of the part to:

U.S. Polymers, Inc.
6915 Slauson Avenue
Commerce, CA 90040

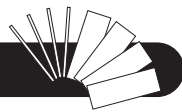
We reserve the right to discontinue or change components. If a component has been discontinued or is not available,
U.S. Polymers, Inc. reserves the right to substitute a component of equal quality as may be compatible.

Limits and Exclusions

There are no express warranties except as listed above. The warrantor shall not be liable for incidental or consequential damages resulting from the use of this product, or arising out of any breach of this warranty. All express warranties are limited to the warranty period set forth above. Some states do not allow the exclusion or limitation on how long an implied warranty lasts, so the above limitations may not apply to you.

This warranty gives you specific legal rights and you may also have other rights which vary from state to state or country to country.

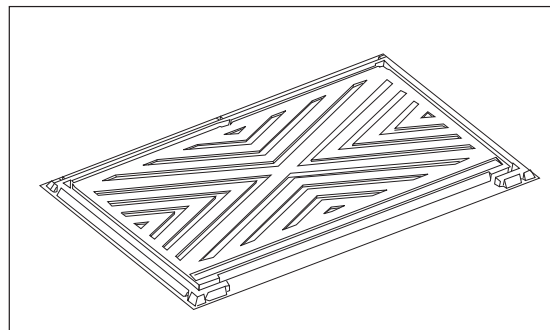
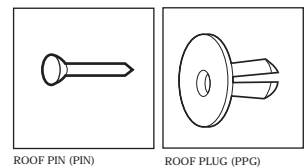
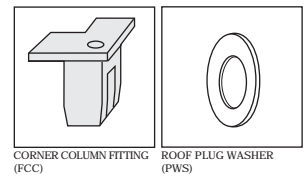
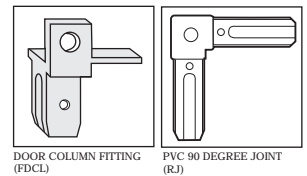
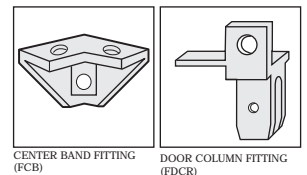
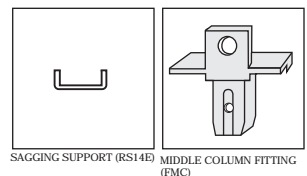
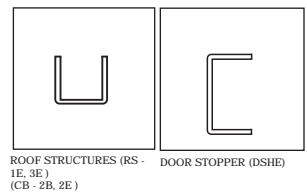
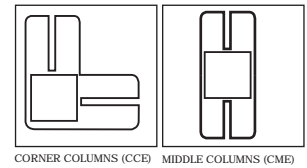
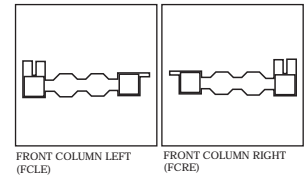
Parts List



Note: Check all parts prior to installation.

ACCESSORIES

CODE	DESCRIPTION	QTY	CODE	DESCRIPTION	QTY
BPF	BASE PALLET	1	FDCL	DOOR COLUMN FITTING LEFT	1
FCRE	FRONT COLUMN RIGHT	1	FDCR	DOOR COLUMN FITTING RIGHT	1
FCLE	FRONT COLUMN LEFT	1	FCC	CORNER COLUMN FITTING	4
CME	MIDDLE COLUMN	1	FMC	MIDDLE COLUMN FITTING	1
CCE	CORNER COLUMN	2	FCB	CENTER BAND FITTING	4
CB2E	SIDE CENTER BAND	2	RJ	90 DEGREE JOINT	4
CB2B	BACK CENTER BAND	1	PPG	ROOF PLUG	34
RS1E	RS1 ROOF STRUCTURE	2	PWS	ROOF PLUG WASHER	34
RS2E	RS2 ROOF STRUCTURE	4	PIN	ROOF PIN	34
RS3E	RS3 ROOF STRUCTURE	2	S1	DIA. 4.2 x 16mm. (5/32" x 5/8")	
RS5E	RS5 ROOF STRUCTURE	2	S2	DIA. 4.2 x 32mm. (5/32" x 1 1/4")	45
RS14E	SAGGING SUPPORT	2	S5	DIA. 4.2 x 45mm. (5/32" x 1 3/4")	8
DSHE	DOOR STOPPER HORIZONTAL	1	S6	METAL WASHER	14
SPE [▲]	SIDE PANEL	4			14
FPE	FACIA PANEL	2			
RP [▲]	ROOF PANEL	2			
RRE	RIDGE COVER	1			
DL	LEFT DOOR	1			
DR	RIGHT DOOR	1			

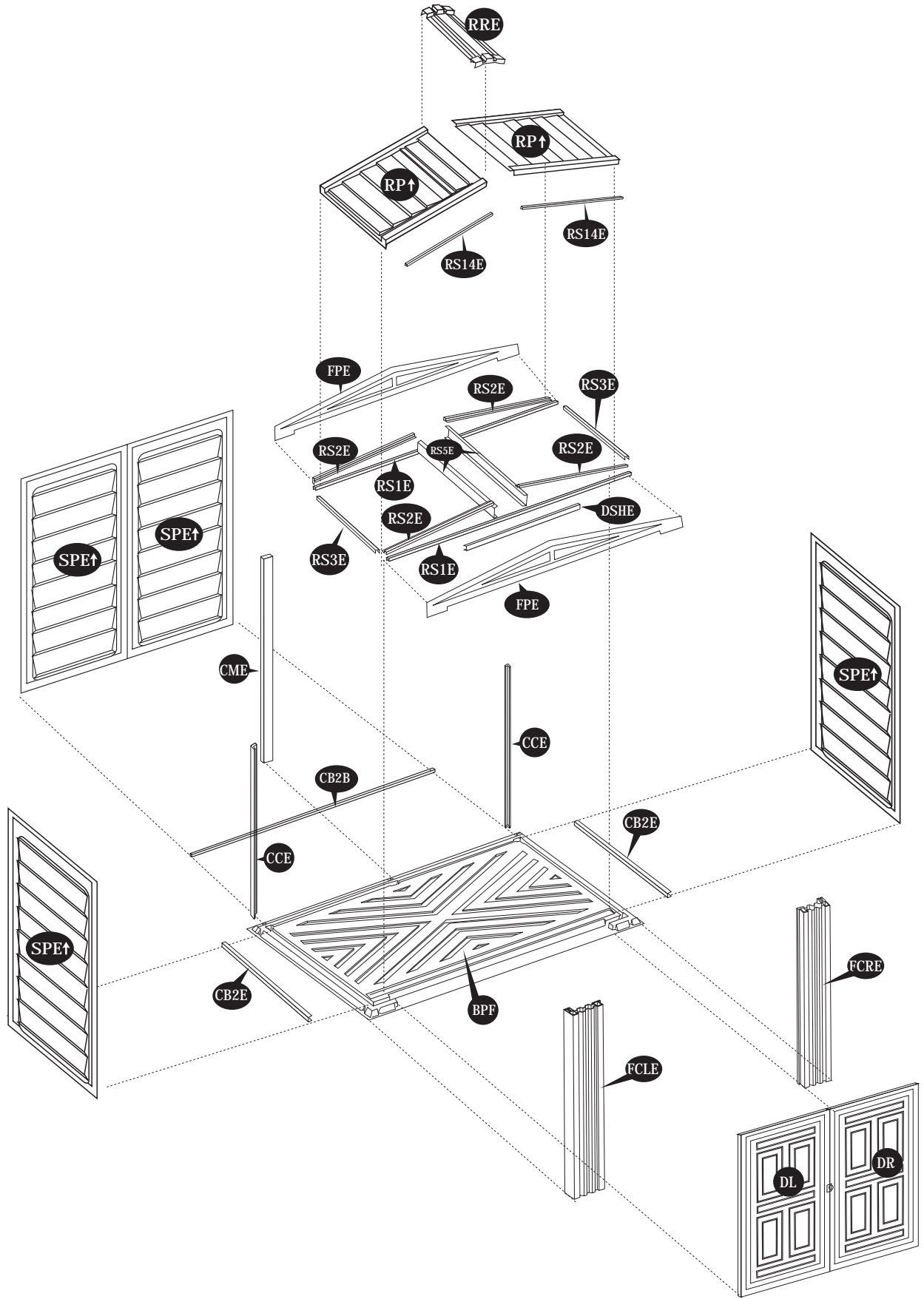
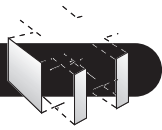


BASE PALLET (BPF)

Tools You Will Need

- Cordless Drill - Philips Head
- Hammer or Rubber mallet
- Carpenters Square
- 8' Step Ladder
- Adjustable pliers
- Level - 3ft.
- Tape Measure
- Caulk Gun
- Waterproof Clear Silicon
- Sealant
- Hand Gloves

Exploded View



A. Base, Walls & Columns



Note: It is important that these instructions are followed step by step.

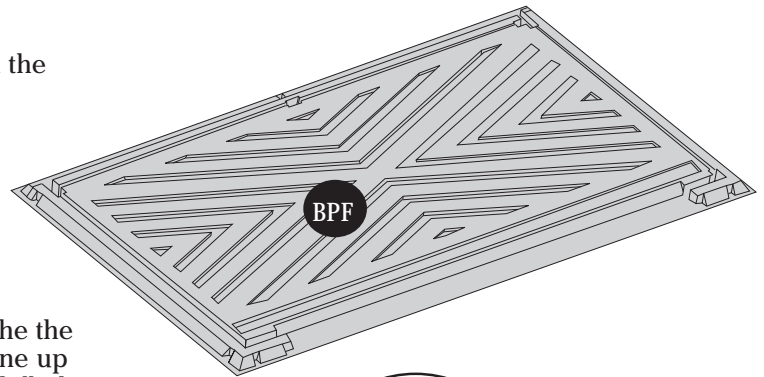


All panels are clearly marked and care should be taken to use the correct one.

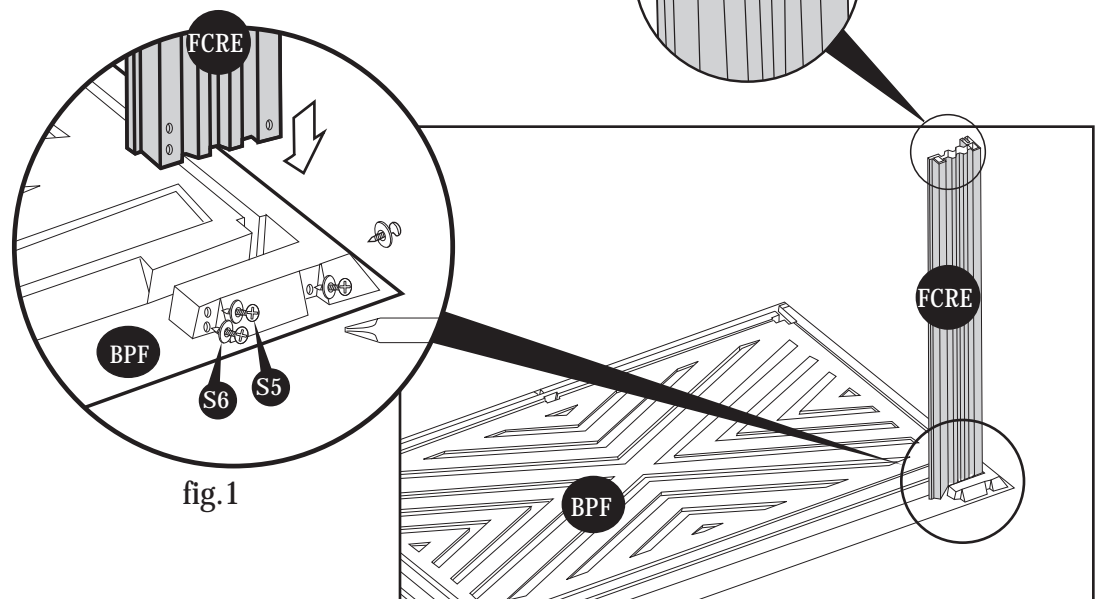
Parts Needed:

- (1) Base Pallet (BPF)
- (2) Corner Column (CCE)
- (1) Front Column Right (FCRE)
- (1) Front Column Left (FCLE)
- (1) Middle Column (CME)
- (4) Side Panels (SPE↑)
- (2) Side Center Band (CB2E)
- (1) Back Center Band (CB2B)
- (4) Center Band Fitting (FCB)

1. Place the base pallet (BPF) on the ground with the flat surface facing down.



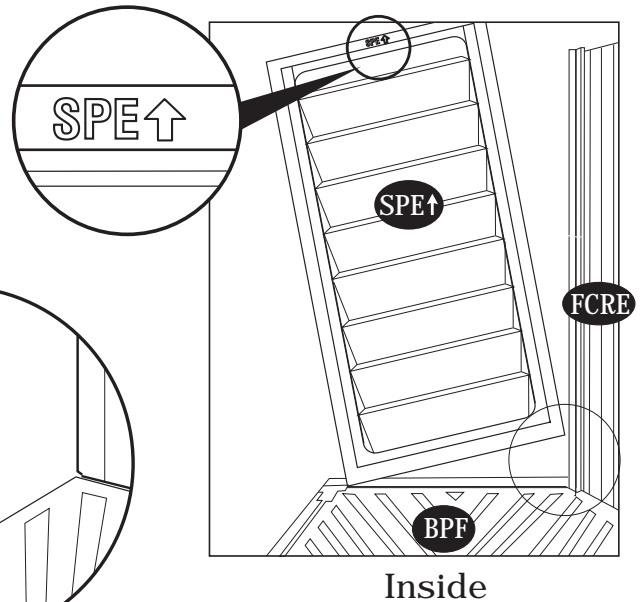
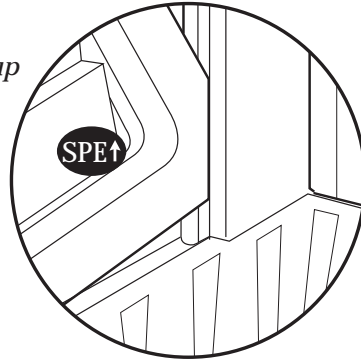
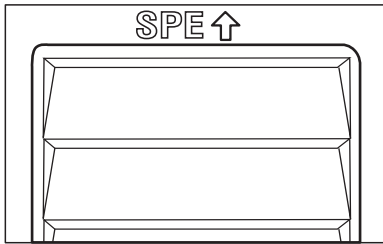
2. Slide front column right (FCRE) into groove of the the Base pallet (BPF) on the right side of the pallet. Line up the pre-drilled holes on (FCRE) Column with pre-drilled holes on Base pallet. Secure with four (S5) Screws with (S6) washers from outside. (See blowup detail fig.1)



3. Insert the side panel (SPE ↑) into the groove of front column (FCRE). Start at the bottom of the panel at an angle then push into place.

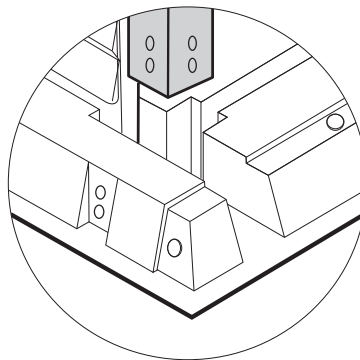
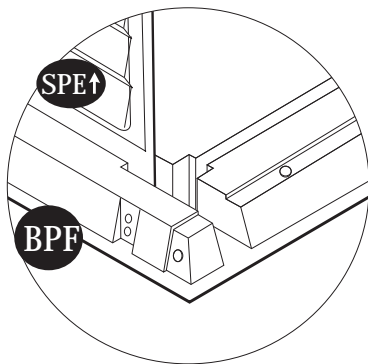
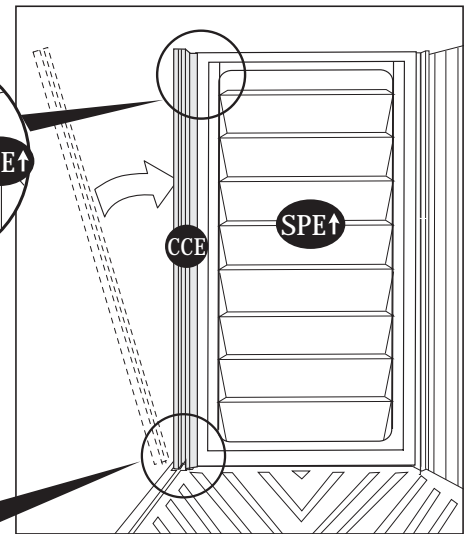
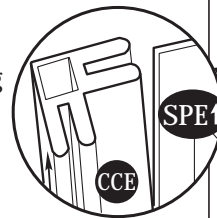
Note *Always place panels into frame at an angle on top and slide in sideways and downward for easy insertion.*

Note *Make sure panels are right side up with panel shingles facing down. Check the stamped label on top of all panels.*

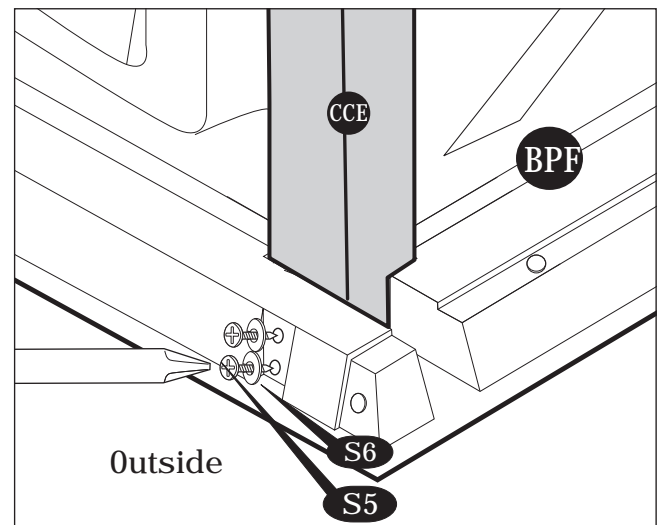


4. Slide corner column (CCE) into side panel (SPE ↑) pushing the column to the side panel.

Note *Make sure the side panel seat inside the base pallet groove.*



5. Working outside use (S5) screws with (S6) washers to secure column to base pallet (BPF).



6. To stabilize the side panel attach the side center band (CB2E). Start with the center band fitting (FCB) . Fix to corner column (CCE) & (FCRE) with (S2) screws. To continue See figures (fig.1) and (fig.2).



To insure easy assembly Locate the identification number of each part.

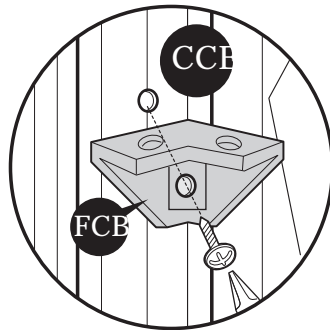
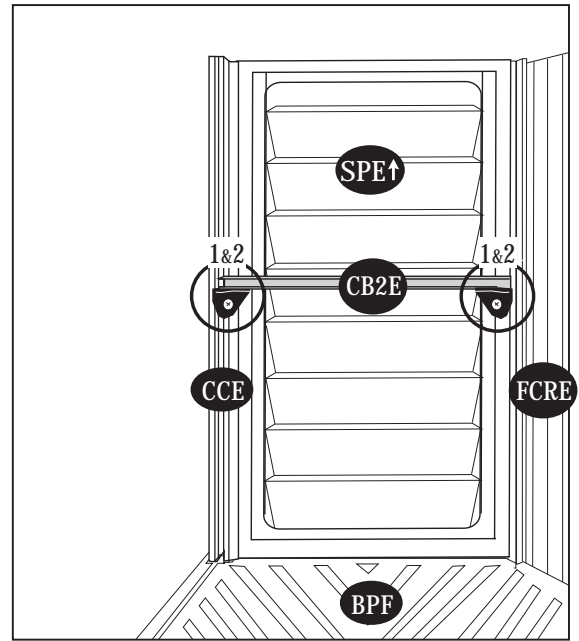
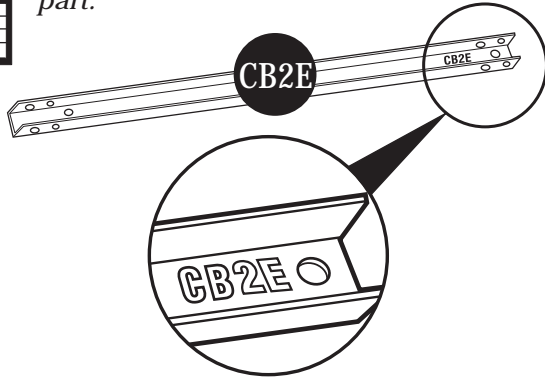


Fig.1: Use (S2) screw.
Fix (FCB) to (CCE) & (FCRE).
Leave it loose.

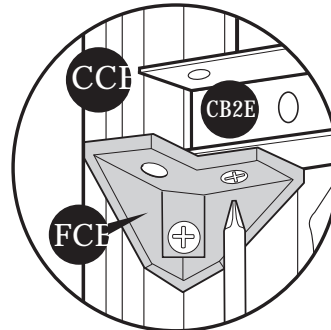
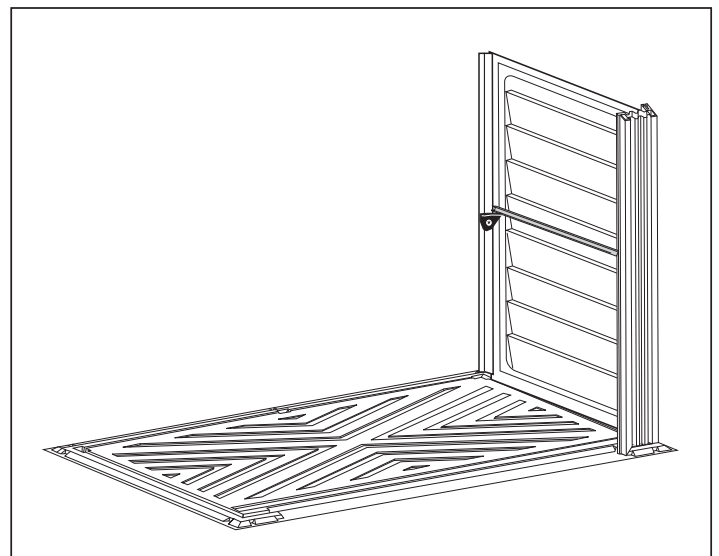
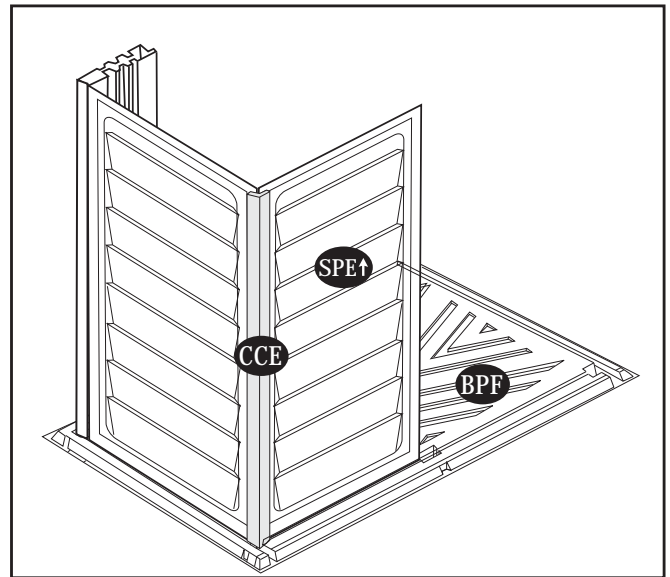


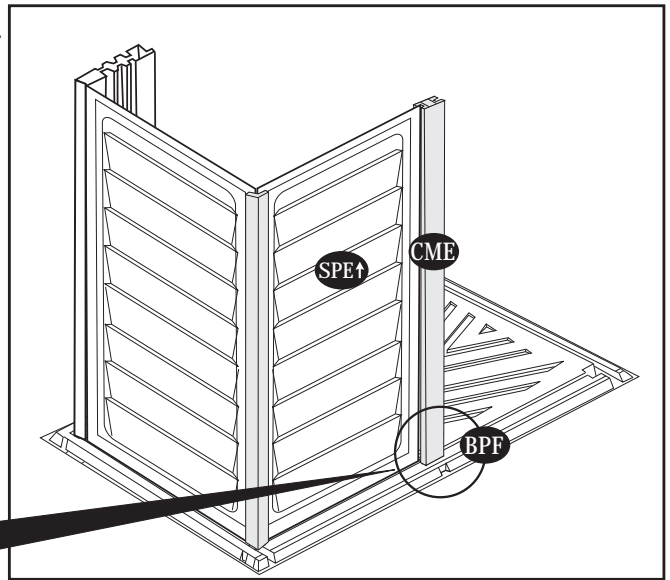
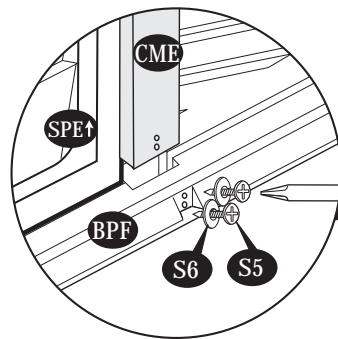
Fig.2: Use (S1) screw.
Fix (CB2E) to (FCB).



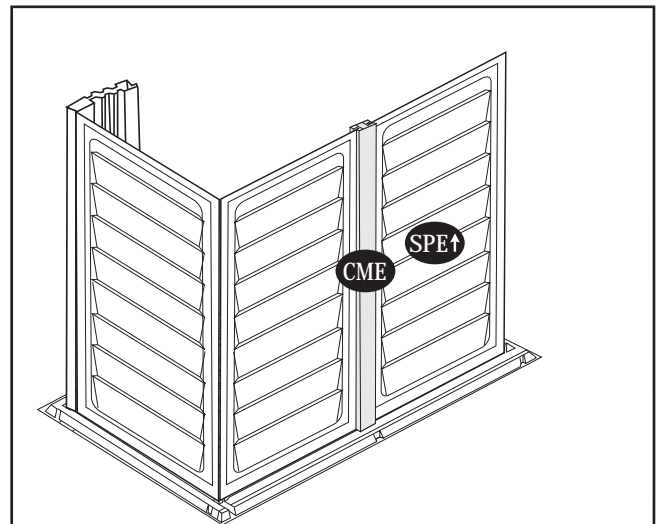
7. Insert the side panel (SPE↑) into the groove of corner column (CCE). Start at the bottom of the panel at an angle then push into place.



8. Slide the middle column (CME) into the base pallet groove. Use (S5) screws with (S6) washer to secure column to the base pallet (BPF). See blowup.



9. Insert the side panel (SPE↑) into the groove of middle column (CME). Start at the bottom of the panel at an angle then push into place.



10. Slide the corner column (CCE) to the side panel (SPE↑) pushing the column to the side panel. See fig. (1 & 2).

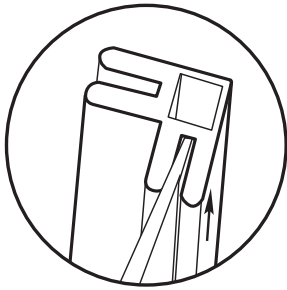


fig.1

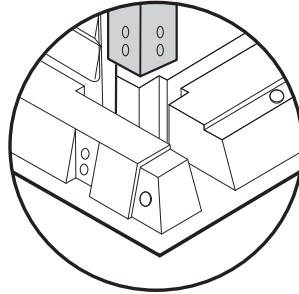
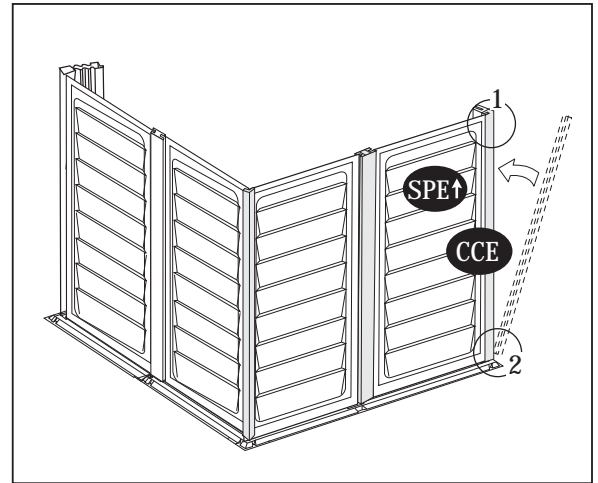
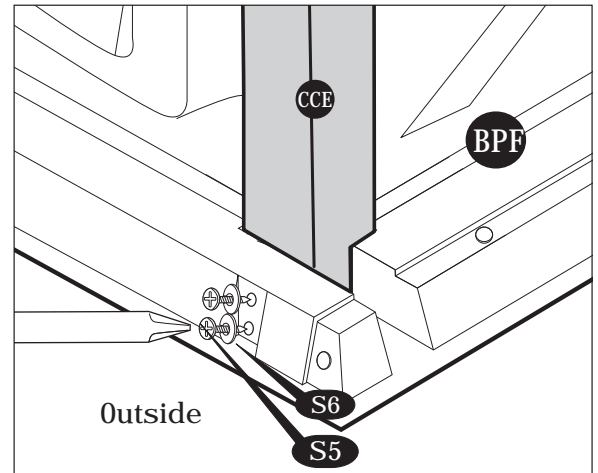


fig.2



11. Working from outside use (S5) screws with (S6) washers to secure column to base pallet (BPF).



12. Stabilize the side panel with the center band (CB2B). Fix (FCB) fitting to the corner column (CCE). Follow the fig. 1, 2, 3 & 4.

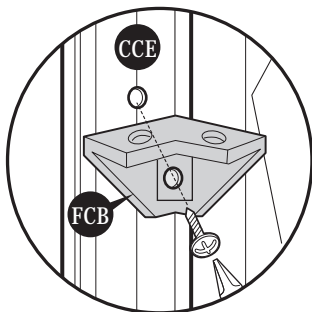
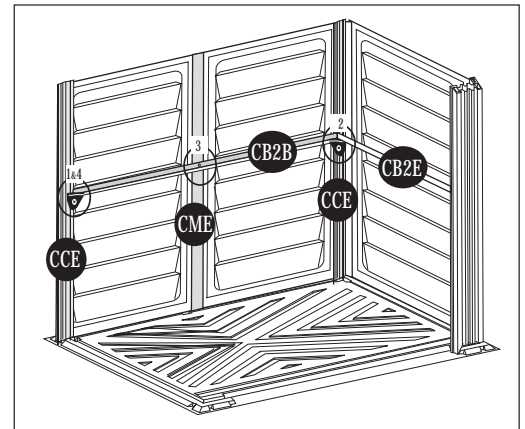
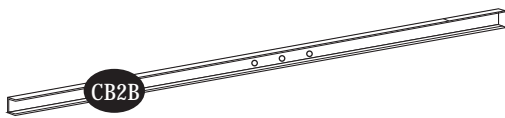


Fig.1: Use (S2) screw. Fix (FCB) to (CCE). Leave it loose.

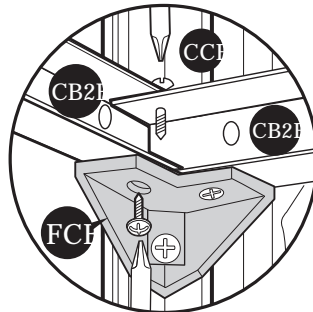


Fig.2: Use (S1) screws. Fix (CB2B) to (FCB) and (CB2E)

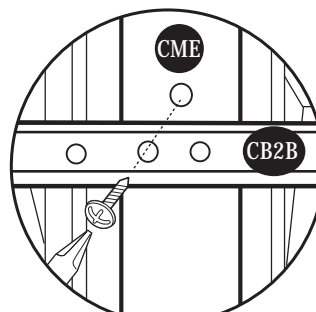


Fig.3: Use (S1) screws. Fix (CB2B) to (CME) column.

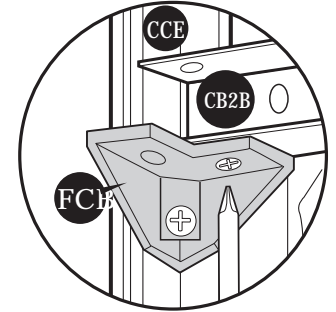
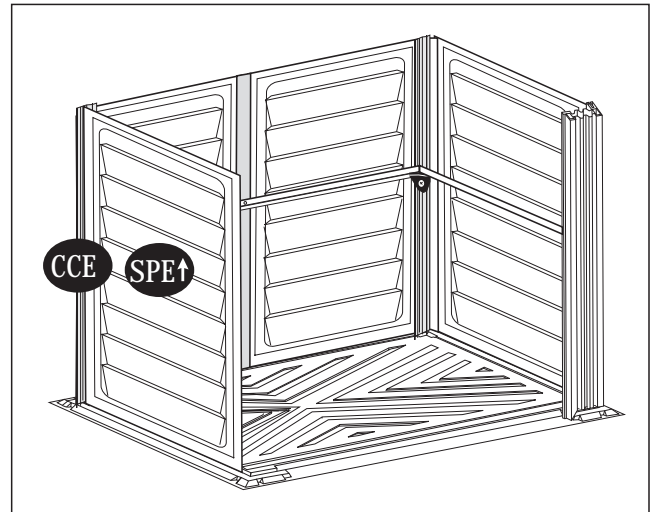
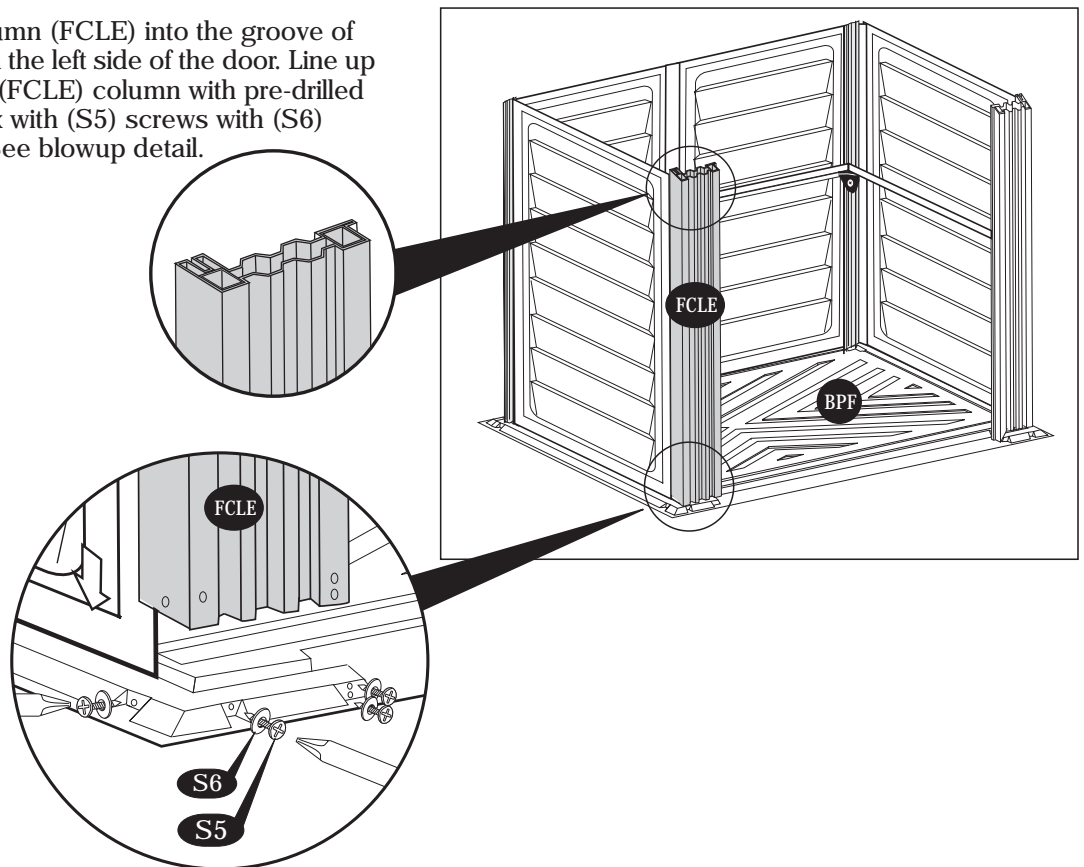


Fig.4: Use (S1) screws. Fix (CB2B) to (FCB).

13. Insert the side panel (SPE↑) into the groove of column (CCE) start at the bottom with panel at an angle then push into place.



14. Slide the front column (FCLE) into the groove of the base pallet (BPF) on the left side of the door. Line up the pre-drilled holes on (FCLE) column with pre-drilled holes on base pallet. Fix with (S5) screws with (S6) washers from outside. See blowup detail.



15. To stabilize the side panel attach the center band (CB2E) from inside. Start with the center band fitting (FCB) fix to the column (FCLE) with (S2) screws. See fig. 1, 2 & 3.

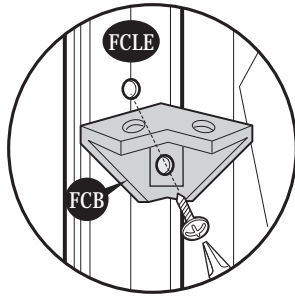


Fig.1: Use (S2) screw. Fix (FCB) to (FCLE). Leave it loose.

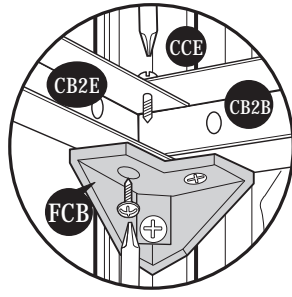


Fig.2: Use (S1) screws. Fix (CB2E) to (FCB) and (CB2B).

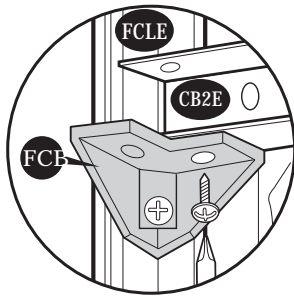
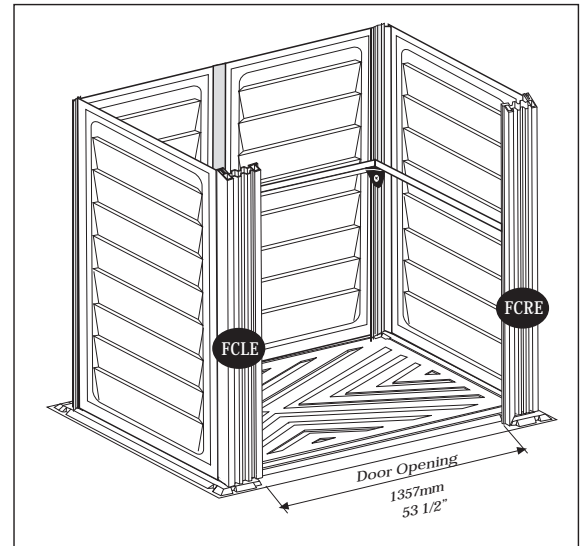
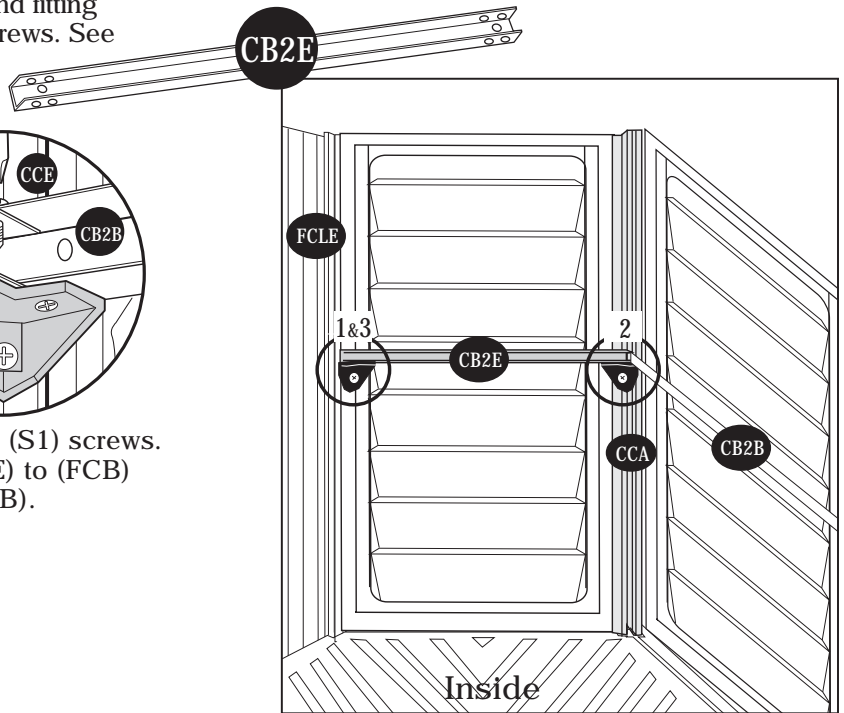


Fig.3: Use (S1) screw. Fix (CB2E) to (FCB).



Note After completing the center band assembly fully tighten the four center band fittings (FCB) to the columns.



B. Roof Frame



Parts Needed:

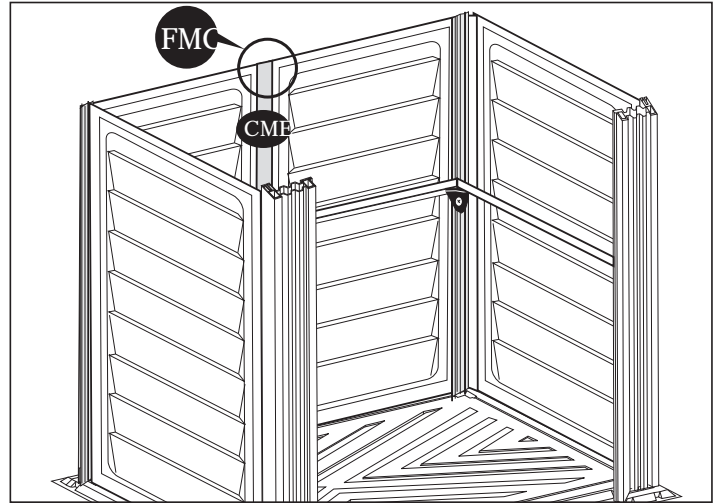
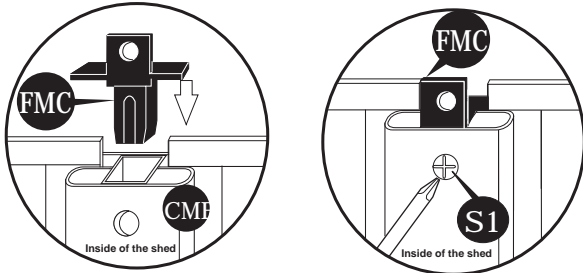
- (2) RS1 Roof Structure
- (4) RS2 Roof Structure
- (2) RS3 Roof Structure
- (2) RS5 Roof Structure
- (1) Door Stopper Horizontal

- (RS1E)
- (RS2E)
- (RS3E)
- (RS5E)
- (DSHE)

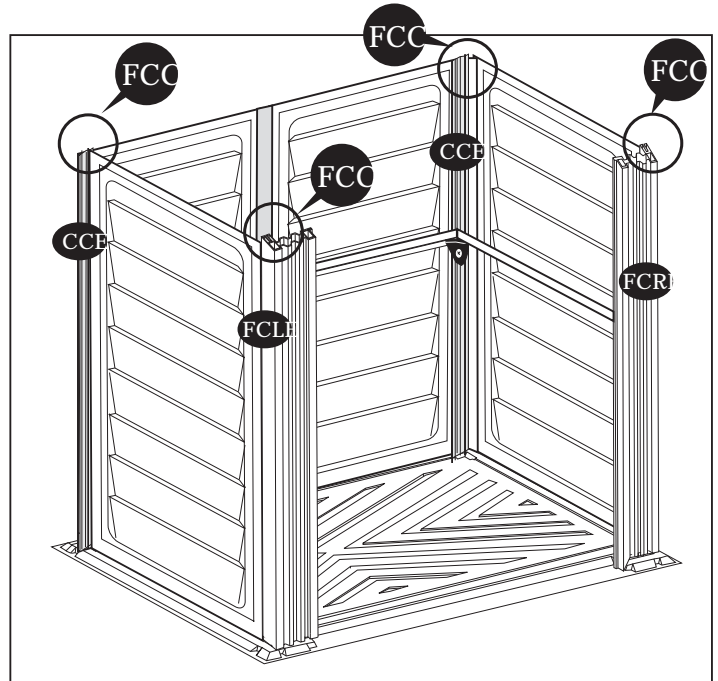
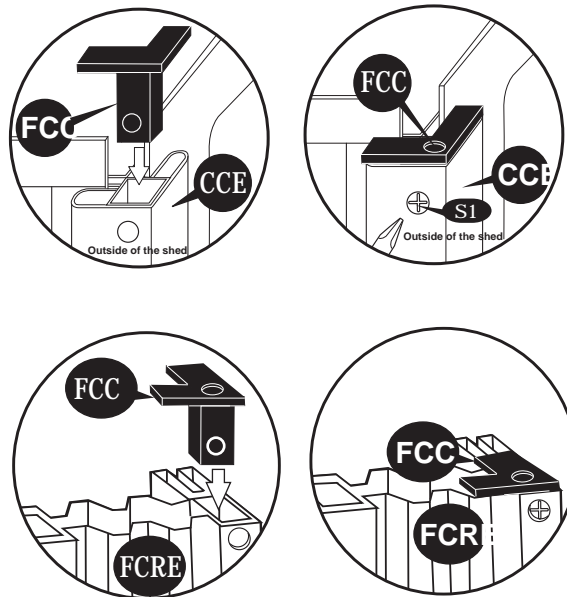
- (1) Door Column Fitting Left
- (1) Door Column Fitting Right
- (4) Corner Column Fitting
- (1) Middle Column Fitting
- (4) 90 Degree Joint

- (FDCL)
- (FDCR)
- (FCC)
- (FMC)
- (RJ)

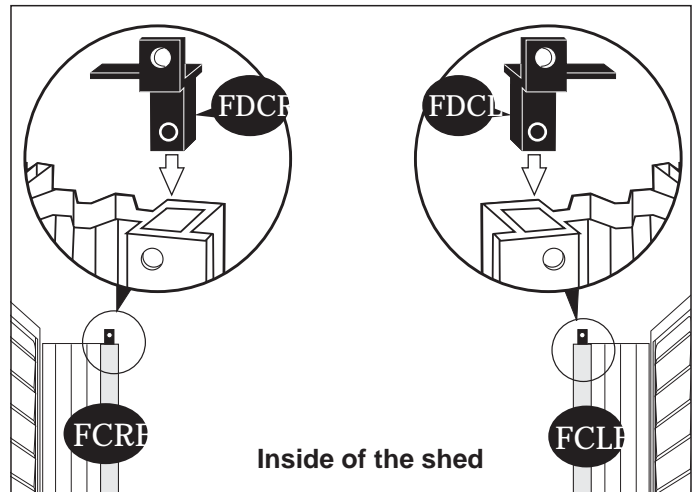
1. Insert the middle column fitting (FMC) into top of middle columns (CME) square tubing inserts. Fix the column fittings (FMC) to columns (CME) with (S1) screws from inside the shed.



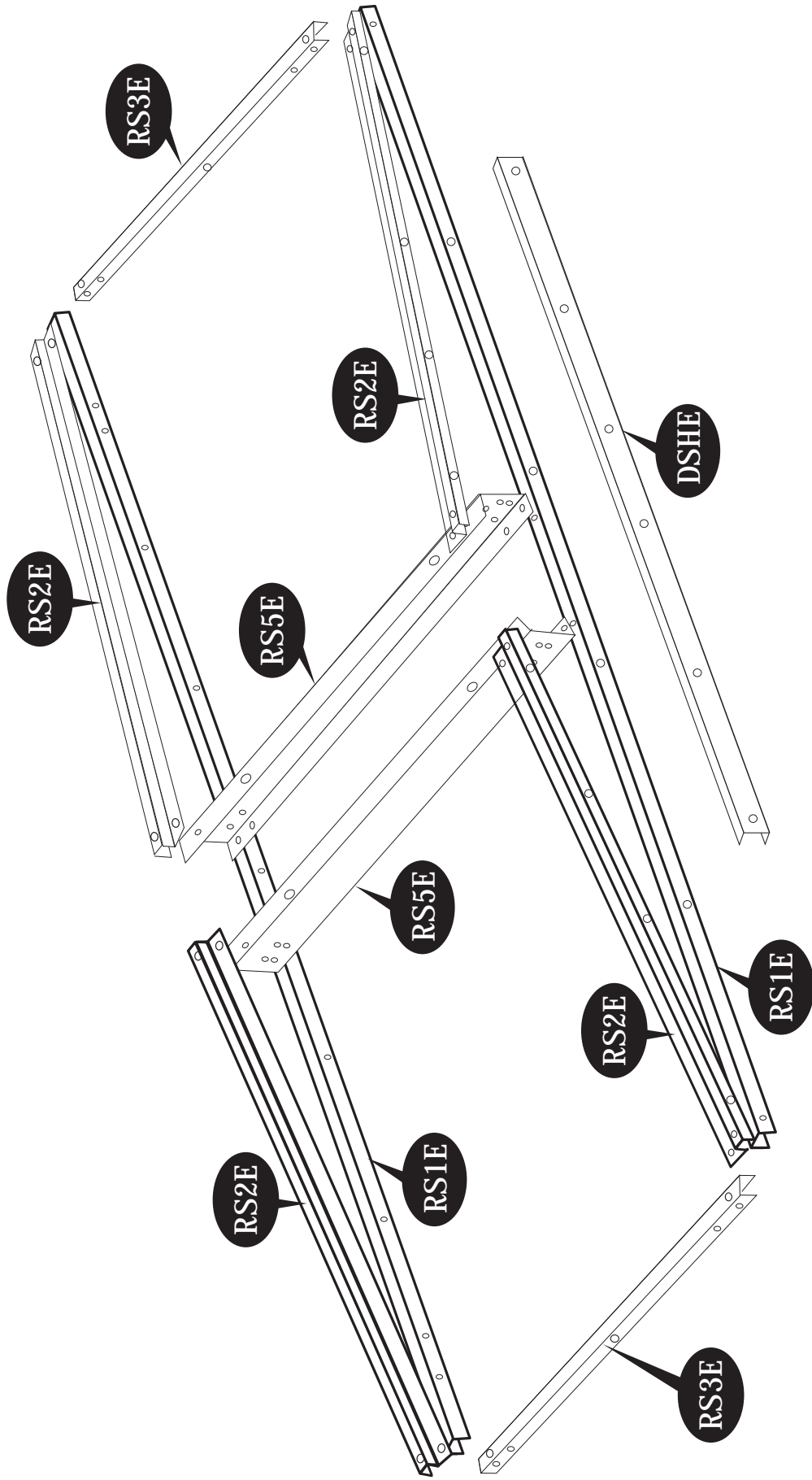
2. Insert the corner column fittings (FCC) into the corner column's (CCE) and the corner of (FCLE) & (FCRE) square tubing insert. Fix with (S1) screws from outside of the shed.



3. Insert the front column fittings (FDCL) and (FDCR) left and right into the front columns (FCLE) and (FCRE) square tubing inserts. Fix with (S1) screw.



ROOF STRUCTURE EXPLODED VIEW

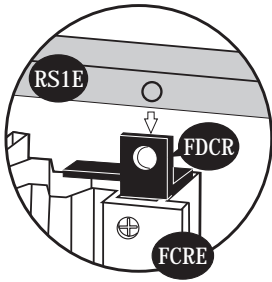
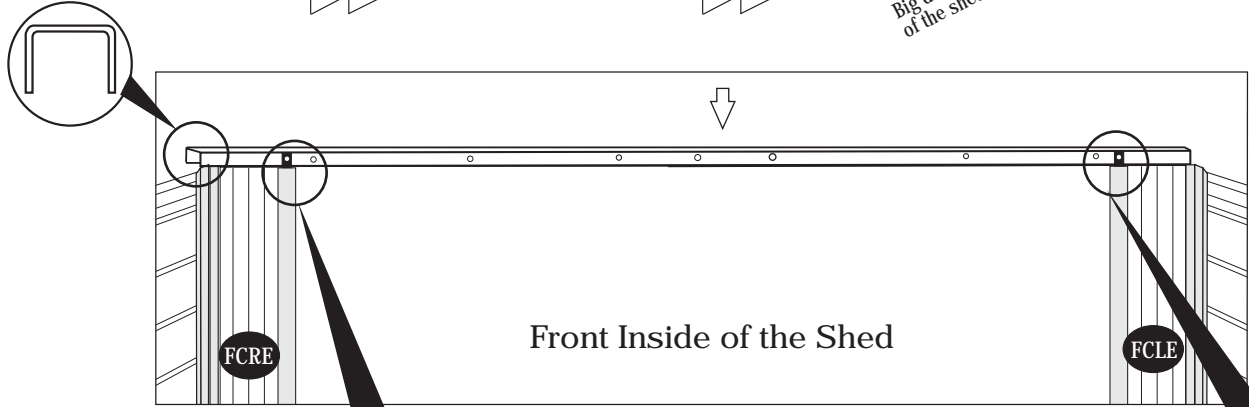
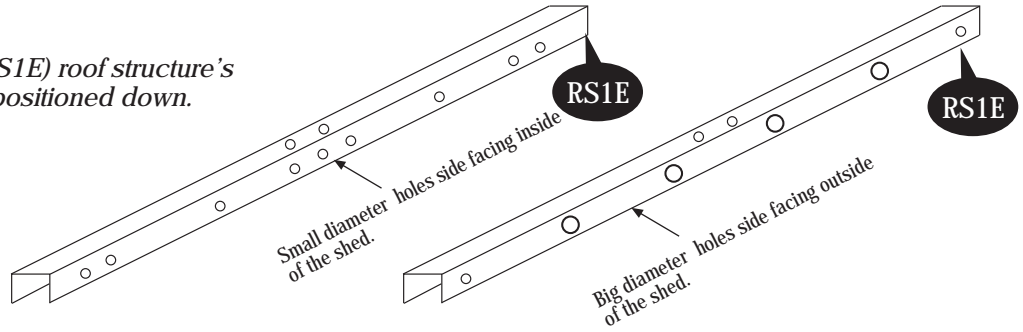


Roof structure assembly

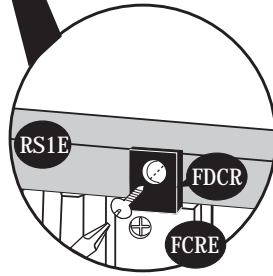
4. Lift the (RS1E) roof structure into position on top of front columns. Line up pre-drilled holes with door column fittings (FDCL) & (FDCR). Use (S1) screws to fix (RS1E) roof structure to the front columns with left and right door column fittings. See fig.



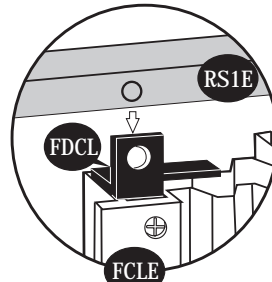
Make sure (RS1E) roof structure's U-Channel is positioned down.



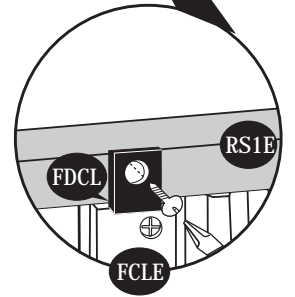
Front Inside
Step 1



Front Inside
Step 2

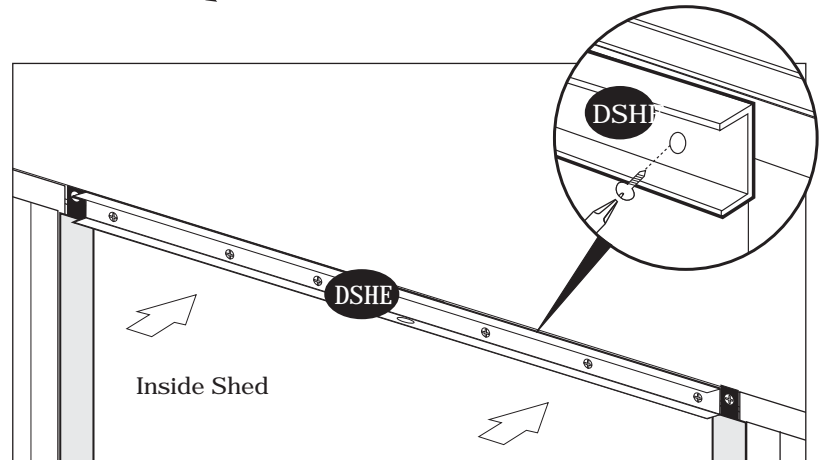


Front Inside
Step 1

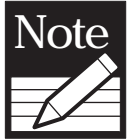
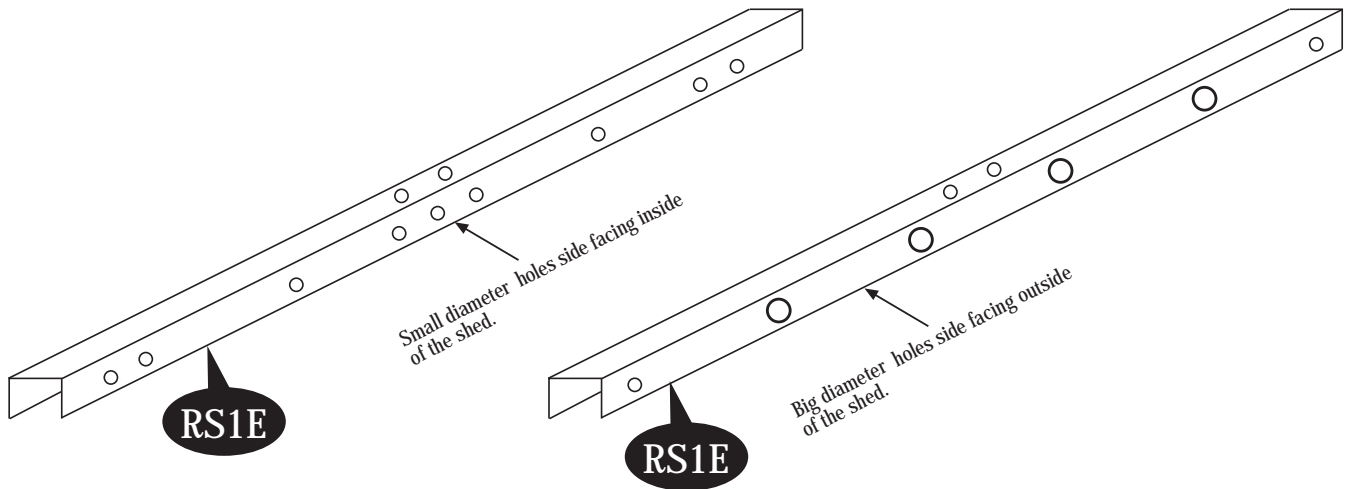


Front Inside
Step 2

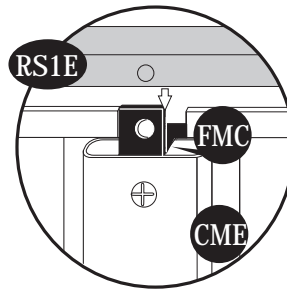
5. Fix the door stopper horizontal (DSHE) to the front roof structure from inside with 6 (S1) screws. Position the latch hole to face down.



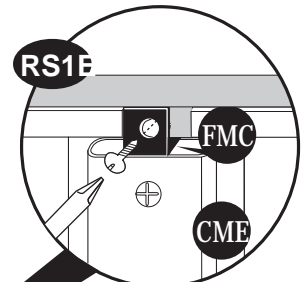
6. Lift the (RS1E) roof structure into position on top of back middle columns (CME). Line up pre-drilled holes with column fittings (FMC). Use (S1) screws to fix (RS1E) roof structure to (FMC).



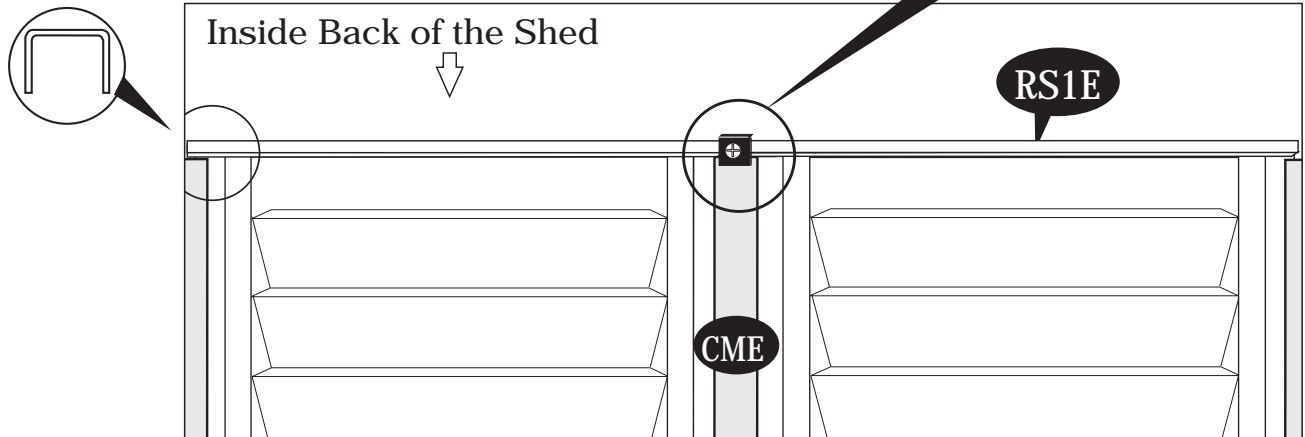
Make sure (RS1E) roof structure's U-Channel is positioned down.



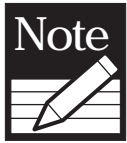
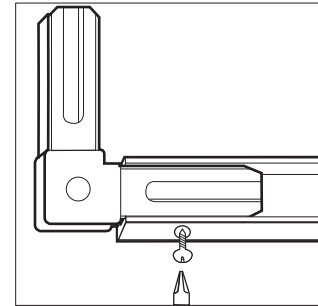
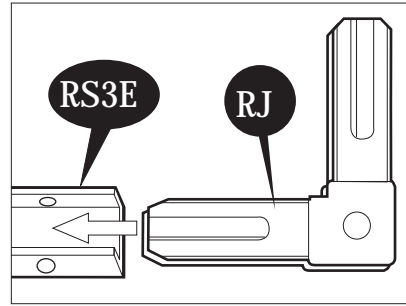
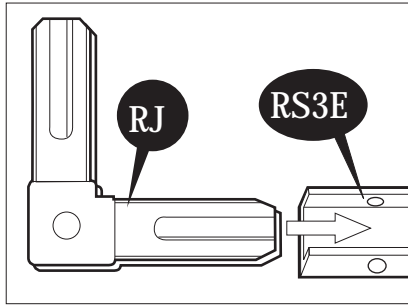
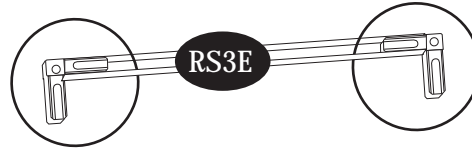
Back Inside Step 1



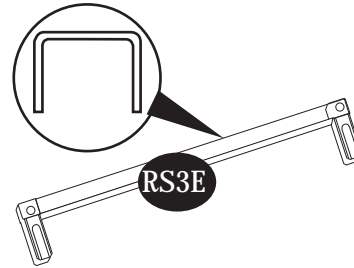
Back Inside Step 2



7. Insert 90 degree joint (RJ) into the (RS3E) U-channel Roof support. Use a hammer to push in. Repeat on both ends of (RS3E). Fix (RJ) to (RS3E) with (S1) screws (2 sets).



After assembly make sure (RS3E) roof structure's U-Channel is positioned down.



8. Insert the roof supports (RS3E) into the roof structures (RS1E). See (fig.1 & 2)

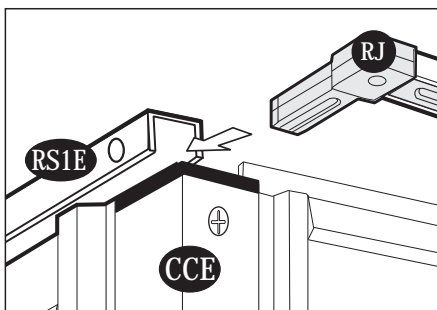
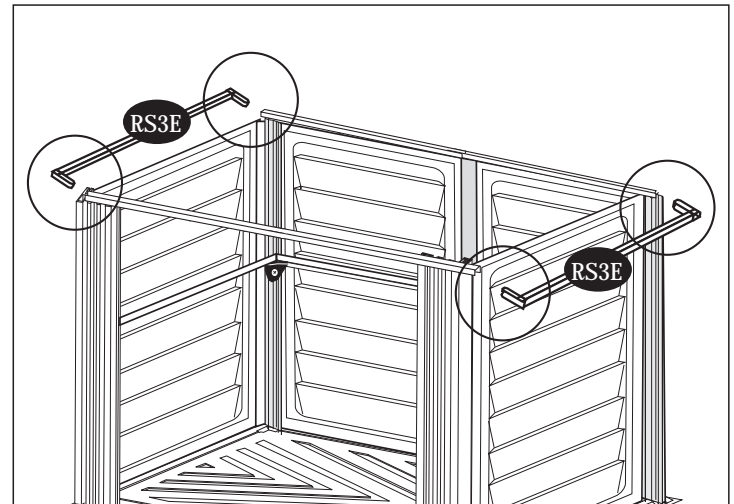


fig.1

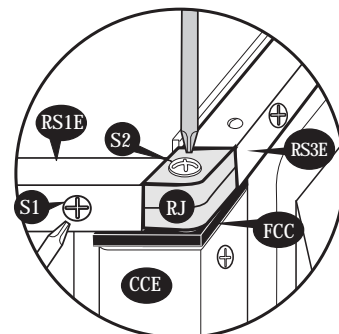


fig.2

Secure (RJ) 90 degree joint to (RS1E) with (S1) screws on top of the four corner columns.
Secure (RJ) with (FCC) using (S2) screw on all the four corner columns.

9. Lift the roof structure (RS5E) into position on roof structure (RS1E).
 Use (S1) screws to fix (RS5E) to (RS1E).
 See (fig.1) and (fig. 2).

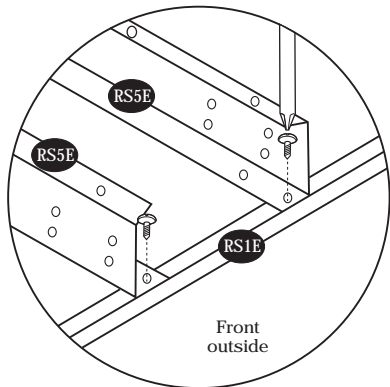
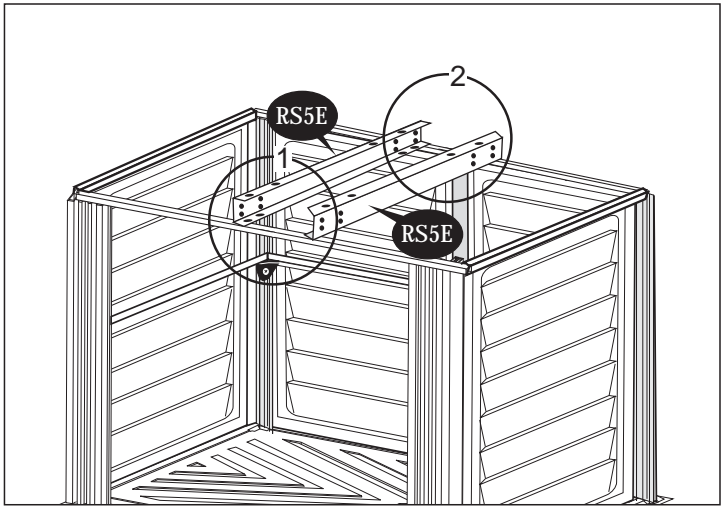
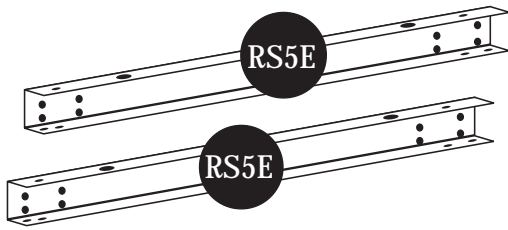


fig.1

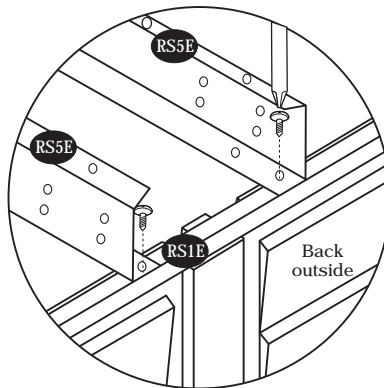
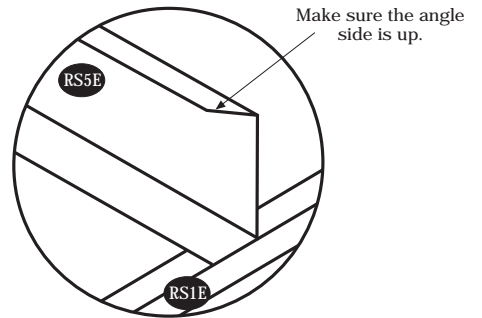


fig.2



10. Attach (RS2E) to roof structures (RS5E) and (RS3E) using (S1) screws.
 See (fig.1,.2 & 3).

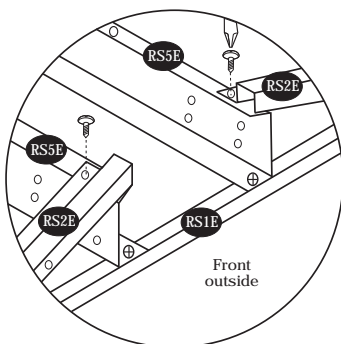
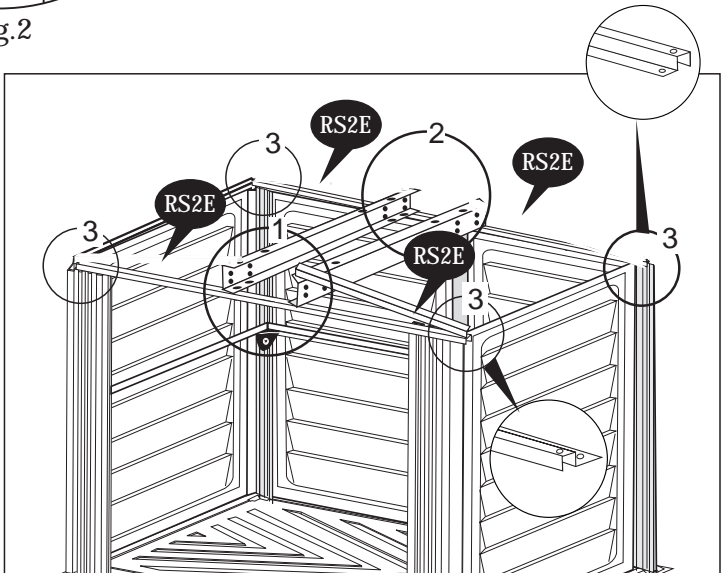
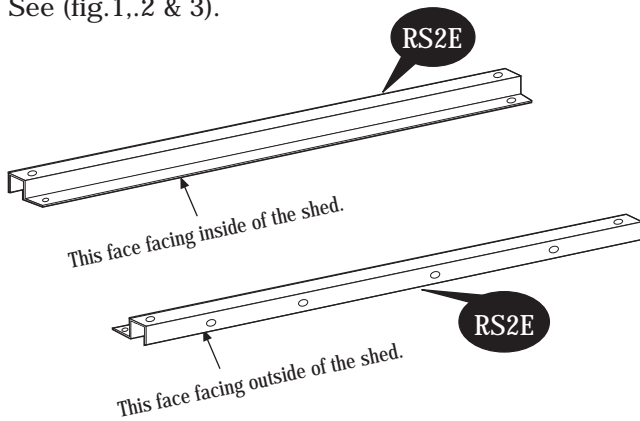


fig.1

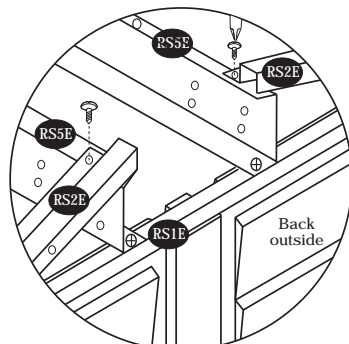


fig.2

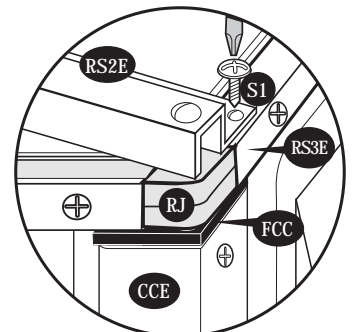


fig.3

Fix (RS2E) to 90 degree joint (RJ) through (RS3E) with (S1) screw.

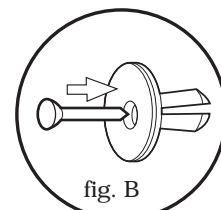
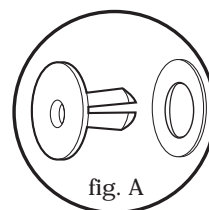
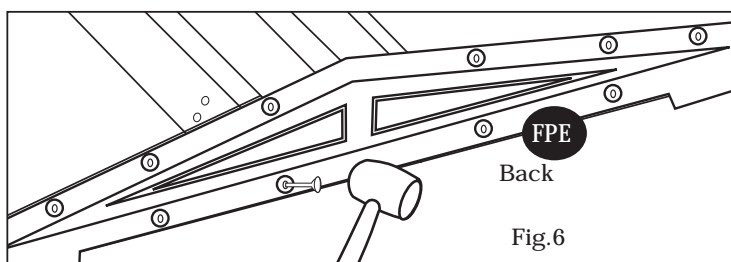
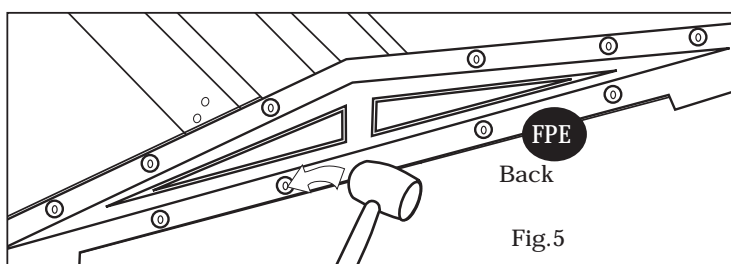
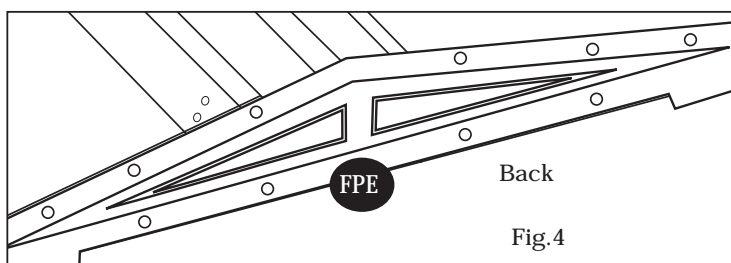
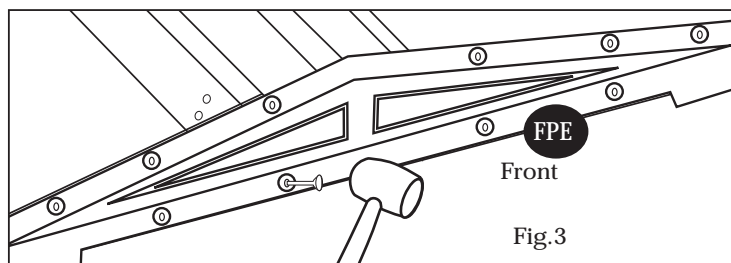
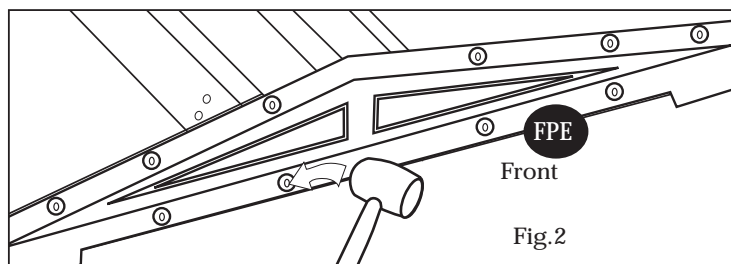
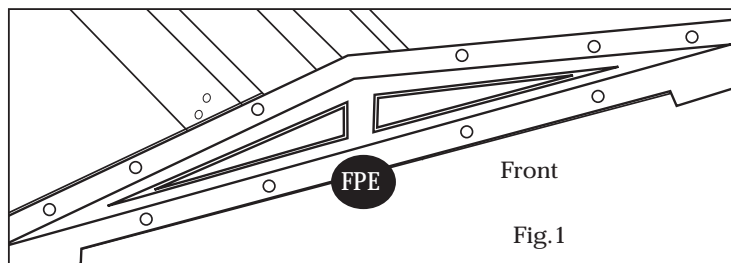
C. Roof panels

Parts Needed:

- (2) Roof Panels (RP↑)
- (2) Facia Panel (FPE)
- (1) Ridge Cover (RRE)
- (34) Roof Plug Washer (PWS)
- (34) Roof Plugs (PPG)
- (34) Roof Pins (PIN)
- (2) Sagging Support (RS14E)

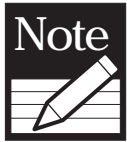
1. Place facia panel (FPE) to front roof structure.

2. First put the roof plug washer on the roof plug. Locate the holes in the facia panel through roof structure and fix with roof plugs w/washers. Use a hammer to drive in plastic pins (rubber mallet). See figures 1, 2 & 3 for details. Repeat action to fix facia panels on backside. See figures 4, 5 & 6



TIP First insert all roof plugs with washers to the panels (left & right) then drive in the roof pins.

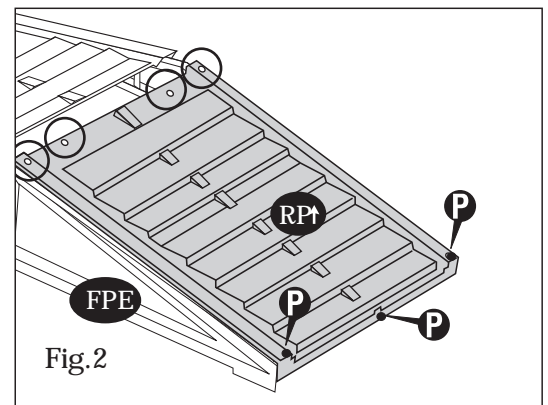
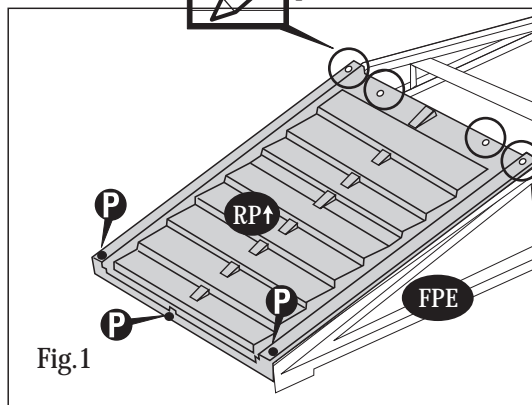
3. Attach the roof panels by sliding the roof panel (RP↑) on roof structure. Locate the hole positions of the roof panel and roof structure. Fix with plastic washers and plugs. Use a hammer to drive in plastic pins. See figures 1 & 2.



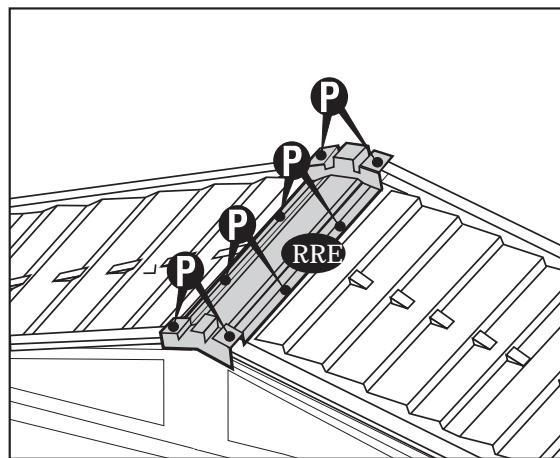
Insert roof plugs into roof panels only as indicated.

KEY
P Roof Plug

Note Leave holes unplugged at this point.

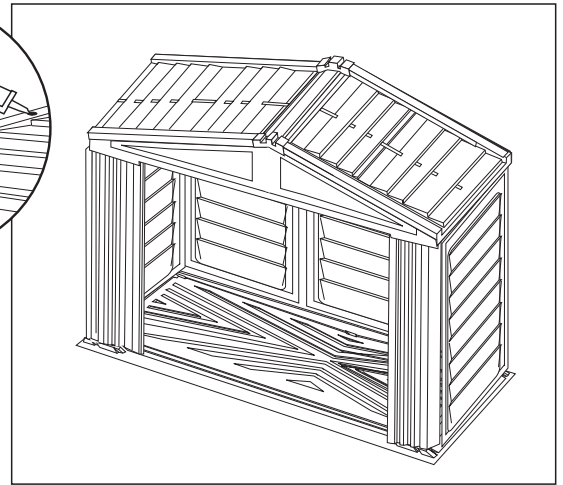
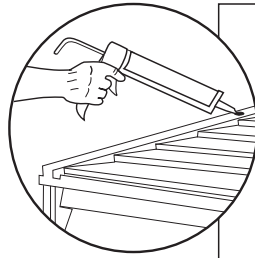


4. Attach the ridge cover (RRE) on top of the roof panels (RP↑). See fig.

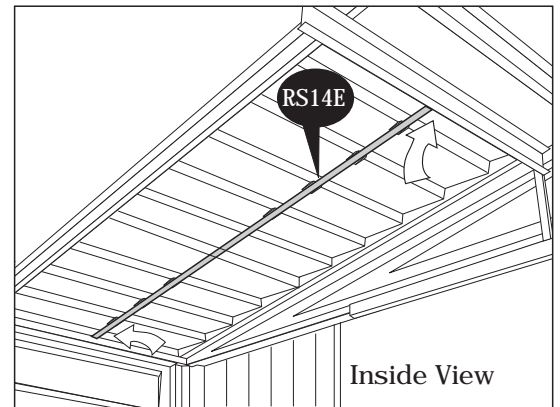
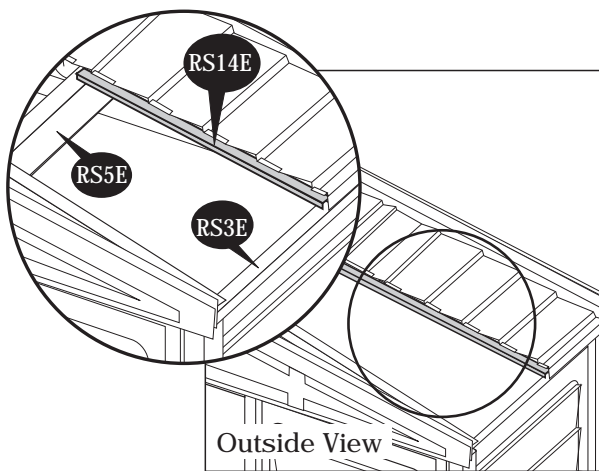




Finish the roof panels with a little silicone glue around the roof plugs holes.



5. Insert the sagging support (RS14E) from inside the shed by sliding it between roof support (RS5E) and roof panel until it reaches (RS3E) roof support for each panel. See figures.



D. Doors

Parts Needed:

- (1) Door Left
- (1) Door Right

1. Attach the doors left and right (see fig.1) with Loose pin hinges on front columns (FCLE) and (FCRE).

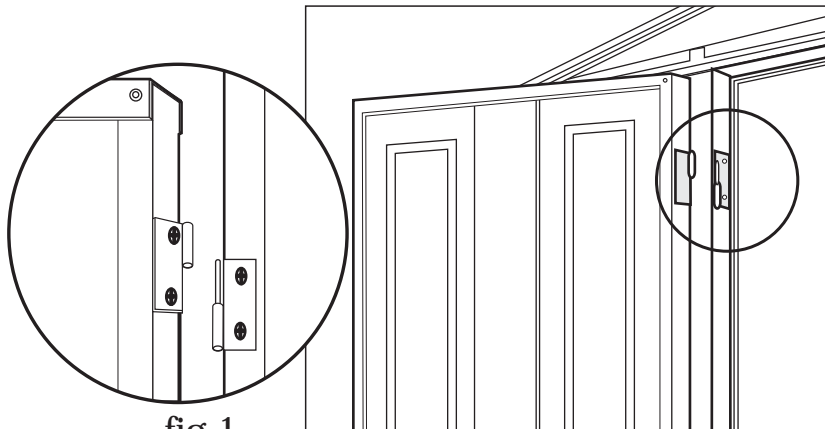


fig.1

